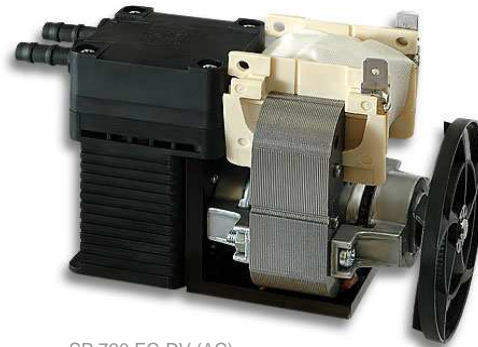




SP 720 EC / 725 EC / 720 EC-TH / 725 EC-TH



SP 720 EC-DV (DC)
SP 725 EC-DV (DC)



SP 720 EC-DV (AC)



SP 720 EC-TH-DV (DC)



SP 725 EC-TH-DV (DC)

Product Features

- optimized for pressure applications
- oil free
- maintenance free
- reduced vibrations
- low noise
- small size
- lightweight
- minimal current consumption
- longevity
- high restart capacity

Applications

- Autoclaves
- Autosamplers
- Air Brush
- Gas Detectors
- Pneumatics
- Industrial Applications
- Medical Applications
- Blood Pressure Monitoring
- Anaesthesia Equipment
- Exhaust Gas Analysers
- Pipetting Devices

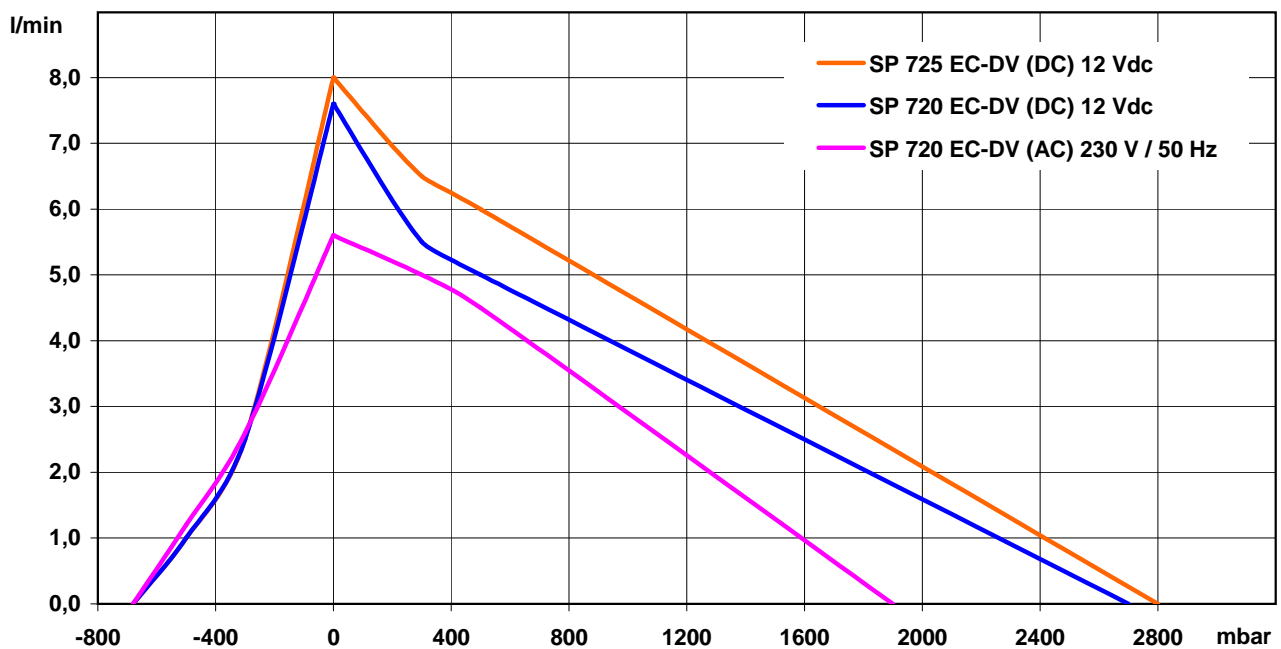


SP 720 EC / 725 EC / 720 EC-TH / 725 EC-TH

The pumps listed below represent a typical selection of our wide range of eccentric pumps and are intended for initial tests. Customised versions for your individual application would be made without extra costs - please contact us!

Designation	SP 720 EC-DV (AC)		SP 720 EC-DV (DC)		SP 725 EC-DV (DC)	
Operating Voltage	230 V / 50 Hz		12 Vdc	24 Vdc	12 Vdc	24 Vdc
Art.No.	7s54080		7s54002	7s54003	7s54014	7s54015
Pneumatic Performance						
Free Flow [l/min]	5,6		7,6		8,0	
flow at:	Pressure Side					
300 mbar [l/min]	5,0		5,5		6,5	
500 mbar [l/min]	4,5		5,0		6,0	
max. Pressure [mbar]	1900		2700		2800	
flow at:	Vacuum Side					
-300 mbar [l/min]	2,6		2,5		2,5	
max. Vacuum [mbar]	-680		-680		-680	
Although the pumps are able to produce vacuum above -400 mbar, it is not recommended to exceed this limit!						
Motor / Power Consumption						
Motor Type	standard optional	Shaded Pole -	Iron Core DC / Double Ball Bearings, Electromagnetic Suppression Brushless DC Motors			
max. Current [mA]		39 W	1600	900	1450	750
Construction						
Pump Head	standard optional	PPS customer specific - upon request				
Valves	standard optional	EPDM FPM (Viton)				
Weight [g]		858	570		570	

Performance Curves



Steeler Strasse 477 • 45276 Essen • Germany
 Phone: +49 201 31697-0 • Fax: +49 201 31697-29
 e-mail: info@schwarzer.com • http://www.schwarzer.com

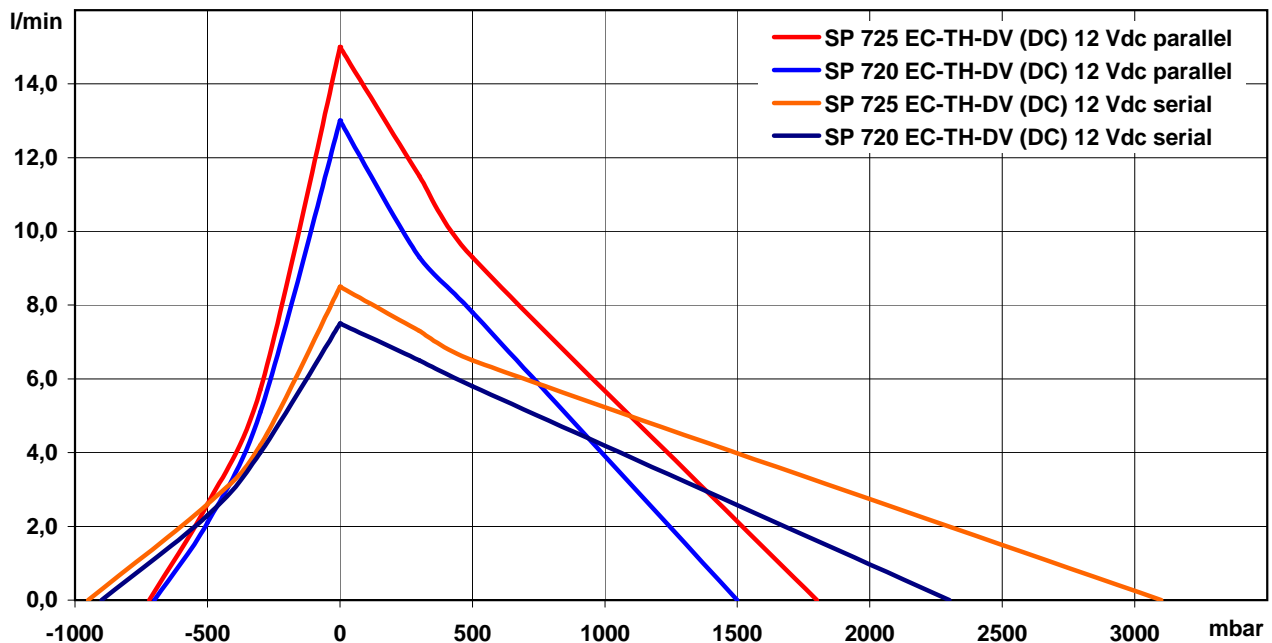


SP 720 EC / 725 EC / 720 EC-TH / 725 EC-TH

The pumps listed below represent a typical selection of our wide range of eccentric pumps and are intended for initial tests. Customised versions for your individual application would be made without extra costs - please contact us!

Designation	SP 720 EC-TH-DV (DC)		SP 725 EC-TH-DV (DC)			
Operating Voltage	12 Vdc		12 Vdc		24 Vdc	
Art.No.	7s54061		7s54070		7s54071	
Pneumatic Performance						
	serial	parallel	serial	parallel	serial	parallel
Free Flow [l/min]	7,5	13,0	8,5	15,0	8,5	15,0
flow at:	Pressure Side					
300 mbar [l/min]	6,5	9,3	7,3	11,5	7,3	11,5
500 mbar [l/min]	5,8	7,8	6,5	9,3	6,5	9,3
max. Pressure [mbar]	2300	1500	3100	1800	3100	1800
flow at:	Vacuum Side					
-300 mbar [l/min]	4,0	5,1	4,2	5,7	4,2	5,7
max. Vacuum [mbar]	-900	-700	-950	-720	-950	-780
Motor / Power Consumption						
Motor Type	standard optional	Iron Core DC Motor with Double Ball Bearings and electromagnetic Suppression 230V / 50Hz or 120V / 60Hz Shaded Pole Motors				
max. Current [mA]	1600	1900	1400	1800	700	900
Construction						
Pump Head	standard optional	PPS customer specific - upon request				
Valves		FPM (Viton)				
Diaphragm	standard optional	EPDM FPM (Viton)				
Weight [g]		680		850		

Performance Curves

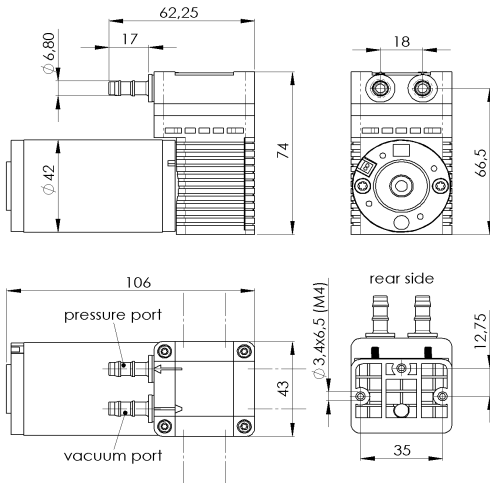




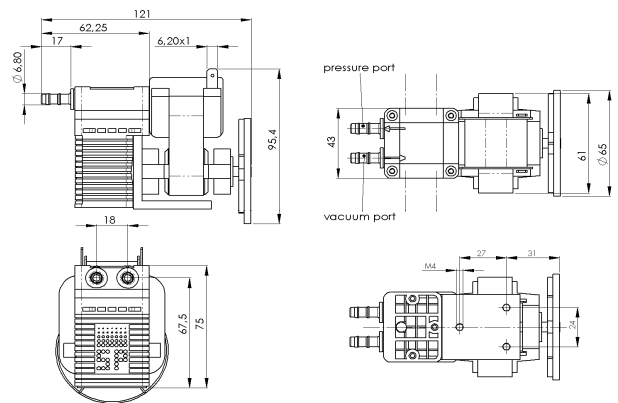
SP 720 EC / 725 EC / 720 EC-TH / 725 EC-TH

Standard: connection ports as shown. Optional: 2 or 3 other port positions possible (see dashed lines)
Standard: nozzles for tube. Optional: female screw thread 1/8" or customized connectors

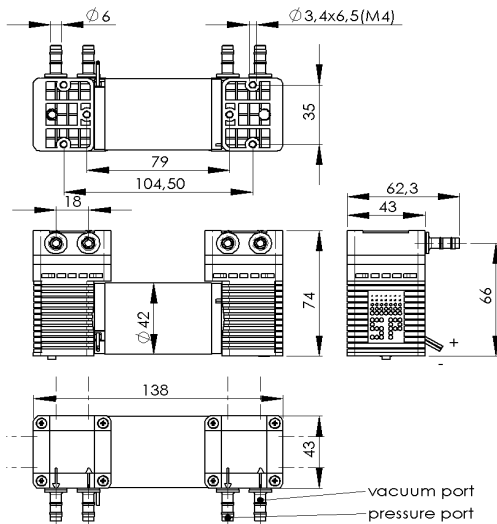
SP 720 EC-DV (DC) / 725 EC-DV (DC)



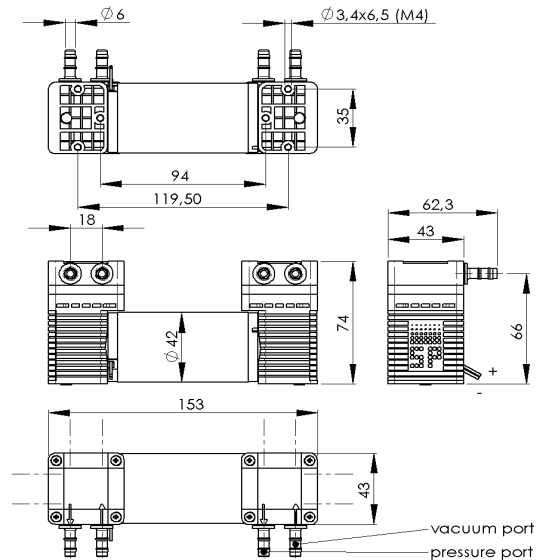
SP 720 EC-DV (AC)



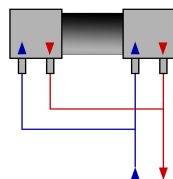
SP 720 EC-TH-DV (DC)



SP 725 EC-TH-DV (DC)



parallel connection
= highest flowrate



serial connection
= highest pressure / vacuum

