



Eccentric Diaphragm Pumps for Gas / Air

SP 700 EC-TH / 730 EC-TH / 730 EC-EV



SP V 700 EC-TH-VD (DC)



SP V 700 EC-TH-VD (AC)



SP V 730 EC-TH-VD (DC)



SP V 730 EC-TH-VD (AC)



SP V 730 EC-EV-VD (DC)



SP V 730 EC-EV-VD (AC)

Product Features

- optimized for vacuum applications
- oil free
- maintenance free
- reduced vibrations
- quiet
- small
- lightweight
- minimal current consumption

Applications

- Autoclaves
- Air Brush
- Gas Detectors
- Cooling
- Pneumatics
- Industrial Applications
- Medical Applications
- Stationary Gas Monitoring



Steeler Strasse 477 • 45276 Essen • Germany
Phone: +49 201 31697-0 • Fax: +49 201 31697-29
e-mail: info@schwarzer.com • <http://www.schwarzer.com>

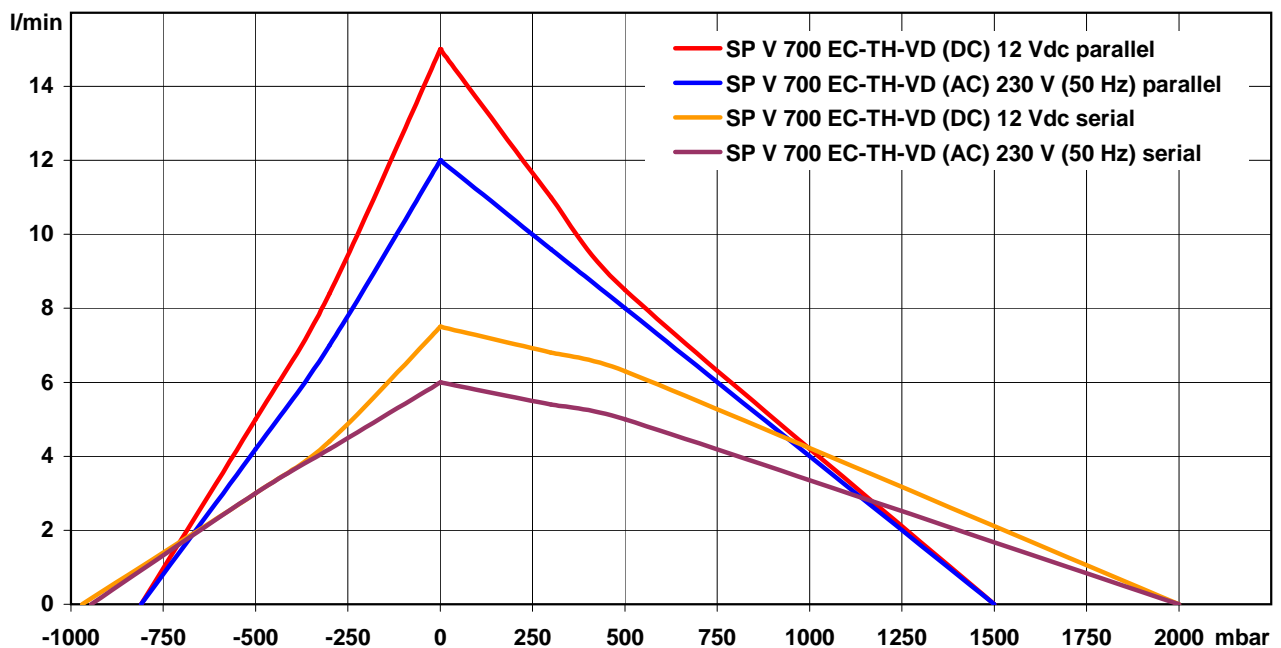


SP 700 EC-TH / 730 EC-TH / 730 EC-EV

These pumps are our standard models. For special requirements we are offering customised versions. Please contact us.

Designation	SP V 700 EC-TH-VD (DC)				SP V 700 EC-TH-VD (AC)			
Operating Voltage	12 Vdc		24 Vdc		230 V (50 Hz)		120 V (60 Hz)	
Art.No.	7e53033		7e53032		7e53030		7e53031	
Pneumatic Performance								
	serial	parallel	serial	parallel	serial	parallel	serial	parallel
Free Flow [l/min]	7,5	15,0	9,0	16,0	6,0	12,0	6,0	12,0
flow at:	Pressure Side							
500 mbar [l/min]	6,3	8,5	6,0	10,0	5,0	8,0	5,0	8,0
300 mbar [l/min]	6,8	11,0	7,1	12,5	5,4	9,6	5,4	9,6
max. Pressure [mbar]	2000	1500	2000	1500	2000	1500	2000	1500
flow at:	Vacuum Side							
-300 mbar [ml/min]	4,4	8,4	5,0	8,5	4,2	7,0	4,2	7,0
max. Vacuum [mbar]	-970	-810	-970	-840	-945	-810	-945	-810
Motor / Power Consumption								
Motor Type	Iron Core DC				Shaded Pole			
max. Current [mA]	2000		1000		420		950	
max. Power Cons. [W]	25		25		59		71	
Construction								
Pump Head standard					PPS			
optional					Nylon			
Diaphragm standard					FPM (Viton)			
optional					EPDM			
Valves standard					FPM (Viton)			
optional					-			
Seal standard					Silicone			
optional					FPM (Viton)			
Weight [g]	780				1800			

Performance Curves



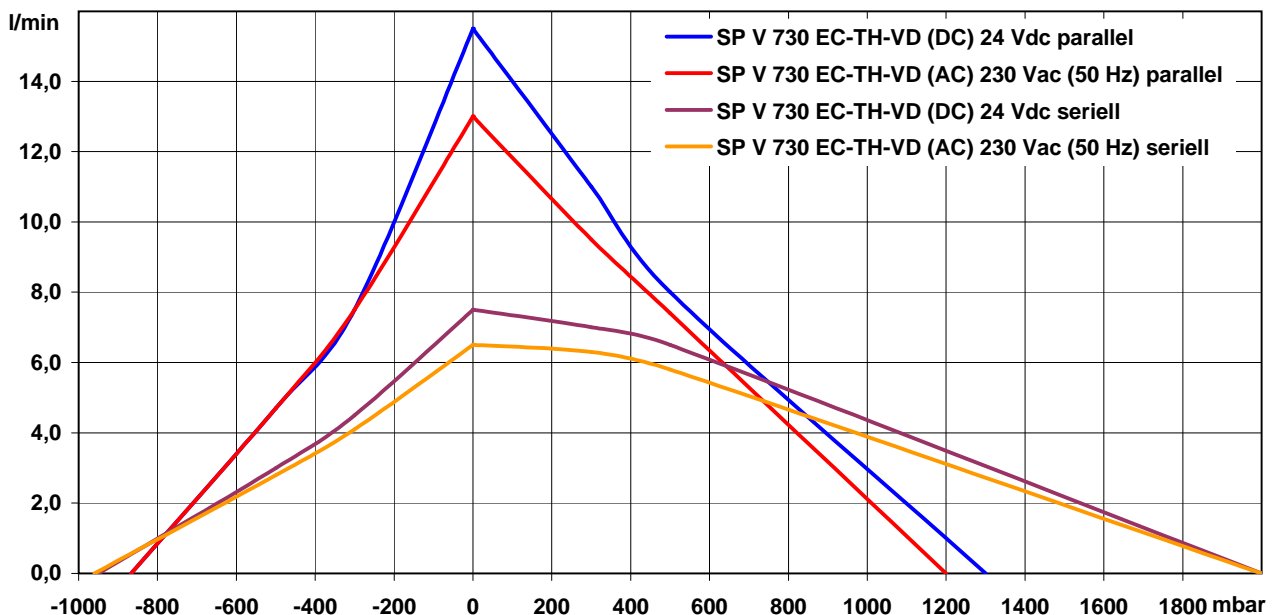


SP 700 EC-TH / 730 EC-TH / 730 EC-EV

These pumps are our standard models. For special requirements we are offering customised versions. Please contact us.

Designation	SP V 730 EC-TH-VD (DC)				SP V 730 EC-TH-VD (AC)					
Operating Voltage	12 Vdc		24 Vdc		24 Vac (50-60 Hz)		120 Vac (60 Hz)		230 Vac (50 Hz)	
Art.No.	7e53094		7e53095		7e53096		7e53097		7e53098	
Pneumatic Performance										
Free Flow [l/min]	serial 7,0	parallel 14,5	serial 7,5	parallel 15,5	serial 6,5	parallel 13,0	serial 6,5	parallel 13,0	serial 6,5	parallel 13,0
flow at:					Pressure Side					
500 mbar [l/min]	6,0	7,5	6,5	8,0	5,8	7,4	5,8	7,4	5,8	7,4
300 mbar [l/min]	6,5	10,5	7,0	11,0	6,3	9,5	6,3	9,5	6,3	9,5
max. Pressure [mbar]	2000	1300	2000	1300	2000	1200	2000	1200	2000	1200
flow at:					Vacuum Side					
-300 mbar [l/min]	4,0	7,0	4,5	7,5	4,1	7,5	4,1	7,5	4,1	7,5
max. Vacuum [mbar]	-950	-867	-950	-867	-960	-867	-960	-867	-960	-867
Motor / Power Consumption										
Motor Type	Iron Core DC				Shaded Pole					
max. Current [mA]	1000		600						400	
Power consumption [W]	-		-						88	
Construction										
Pump Head standard					PPS					
optional					-					
Diaphragm standard					PPM					
optional					-					
Valves standard					PPM					
optional					-					
Seal standard					EPDM					
optional					-					
IP-Protection	IP 20				IP 00					
Insulation Class	Class E				Class B					
Thermal Switch	-				120°C					
Weight [g]	760				1640					

Performance Curves



Steeler Strasse 477 • 45276 Essen • Germany
 Phone: +49 201 31697-0 • Fax: +49 201 31697-29
 e-mail: info@schwarzer.com • http://www.schwarzer.com

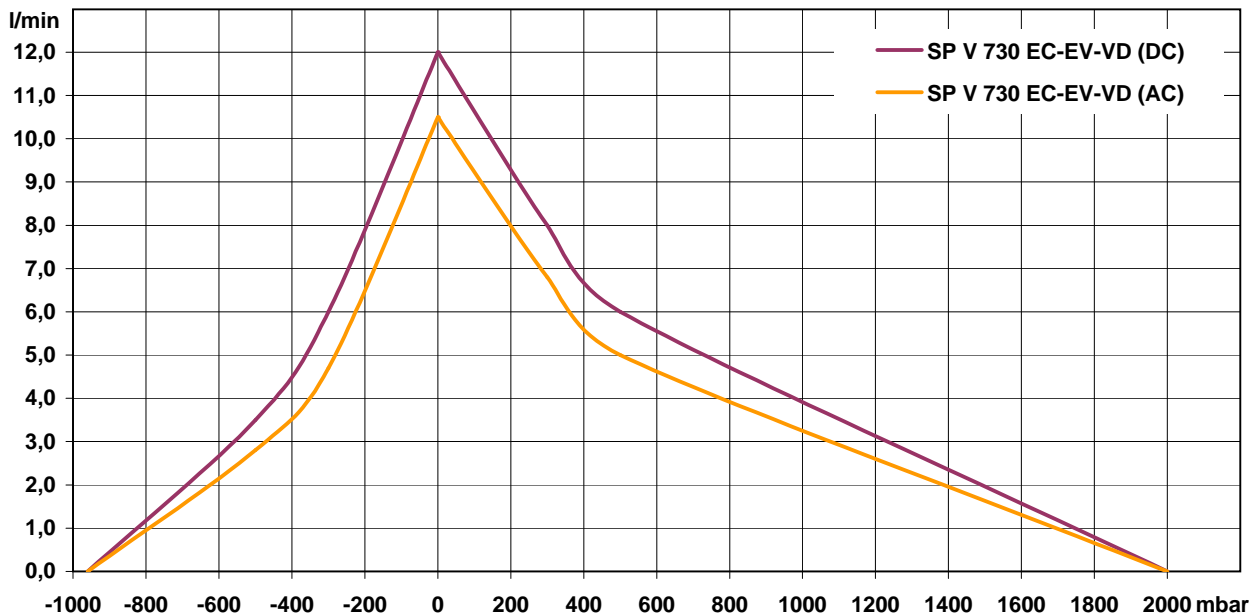


SP 700 EC-TH / 730 EC-TH / 730 EC-EV

These pumps are our standard models. For special requirements we are offering customised versions. Please contact us.

Designation	SP V 730 EC-EV-VD (DC)		SP V 730 EC-EV-VD (AC)		
Operating Voltage	12 Vdc	24 Vdc	24 Vac (50-60 Hz)	120 Vac (60 Hz)	230 Vac (50 Hz)
Art.No.	7e53054	7e53055	7e53056	7e53057	7e53058
Pneumatic Performance					
Free Flow [l/min]	12,0		10,5		
flow at:	Pressure Side				
500 mbar [l/min]	6,0		5,0		
300 mbar [l/min]	8,0		6,8		
max. Pressure [mbar]	2000		2000		
flow at:	Vacuum Side				
-300 mbar [l/min]	6,0		4,7		
max. Vacuum [mbar]	-960		-960		
Motor / Power Consumption					
Motor Type	Iron Core DC		Shaded Pole		
Current at Run [mA]	1100	550	400		
Current at Start [mA]	2000	1000			
Power consumption [W]	-	-	88		
Construction					
Pump Head standard			PPS		
optional			-		
Diaphragm standard			PPM		
optional			-		
Valves standard			PPM		
optional			-		
Seal standard			EPDM		
optional			-		
IP-Protection	IP 20		IP 00		
Insulation Class	Class E		Class B		
Thermal Switch	-		120°C		
Weight [g]	800		1760		

Performance Curves

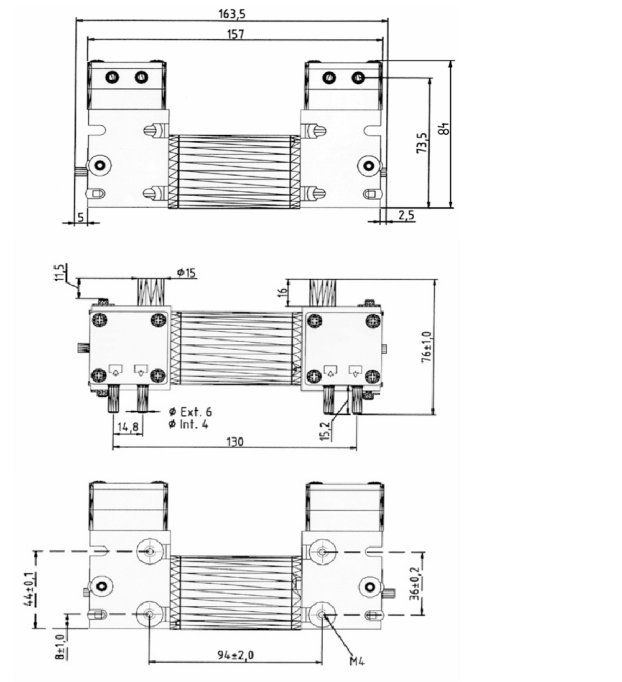




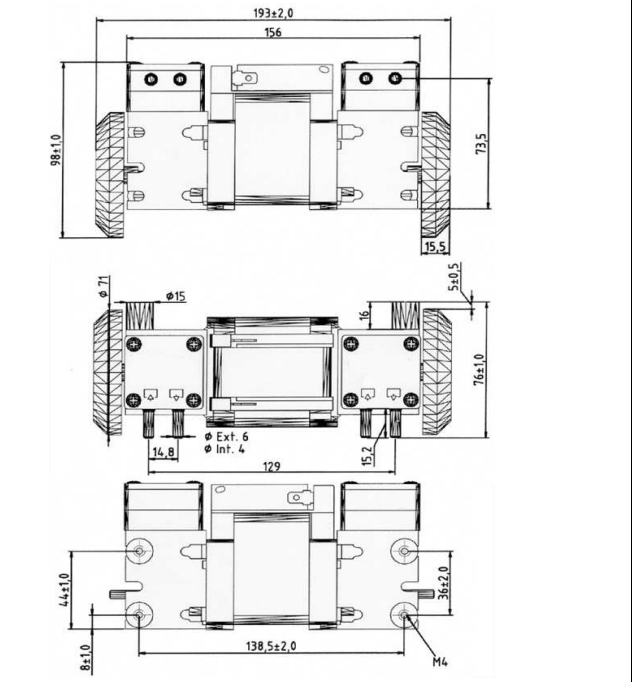
Eccentric Diaphragm Pumps for Gas / Air

SP 700 EC-TH / 730 EC-TH / 730 EC-EV

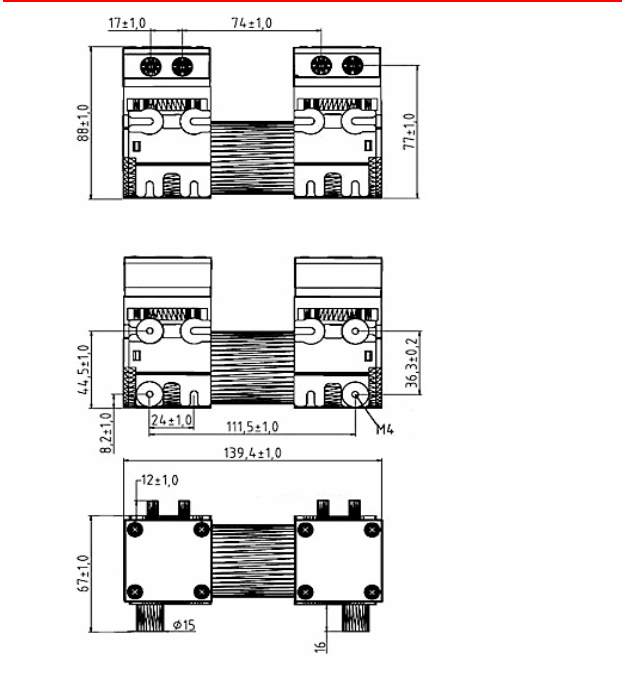
SP V 700 EC-TH-VD (DC)



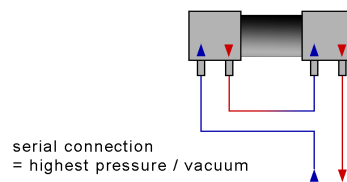
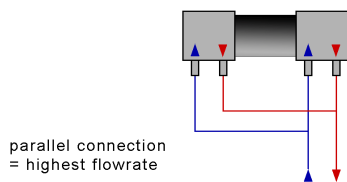
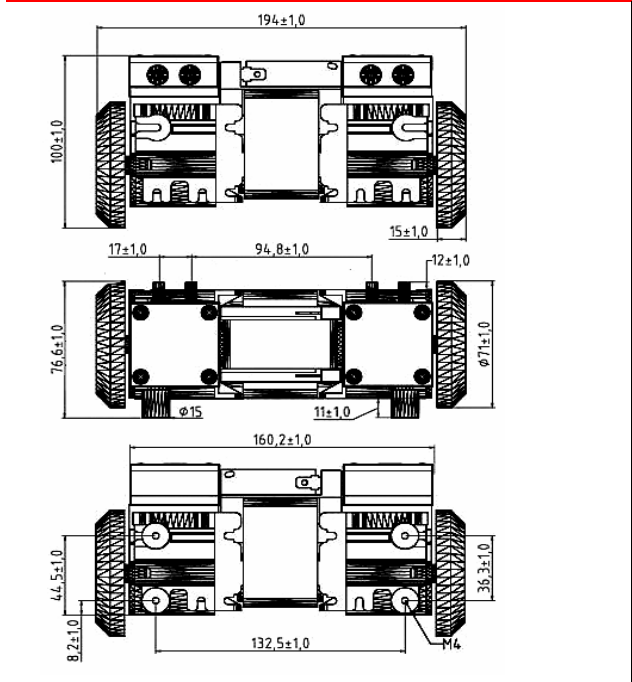
SP V 700 EC-TH-VD (AC)



SP V 730 EC-TH-VD (DC)



SP V 730 EC-TH-VD (AC)

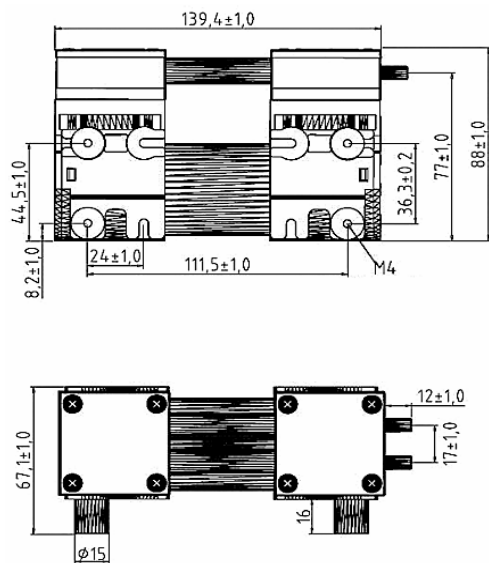


Steeler Strasse 477 • 45276 Essen • Germany
 Phone: +49 201 31697-0 • Fax: +49 201 31697-29
 e-mail: info@schwarzer.com • http://www.schwarzer.com

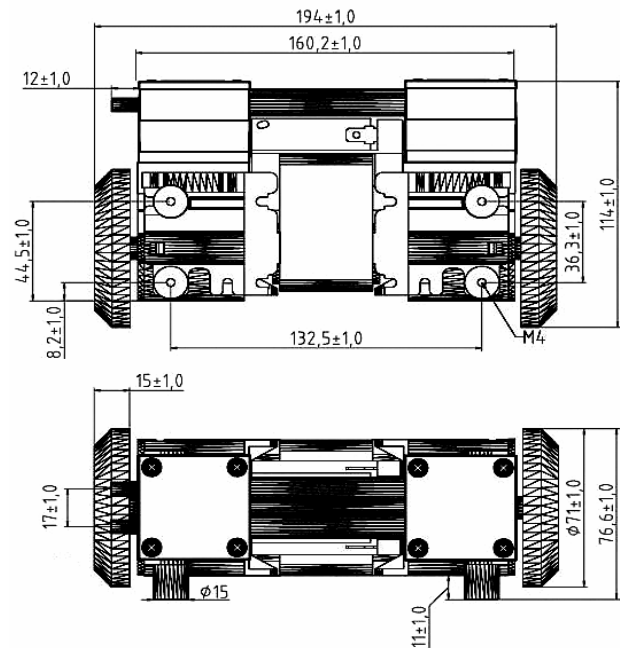


Eccentric Diaphragm Pumps for Gas / Air
SP 700 EC-TH / 730 EC-TH / 730 EC-EV

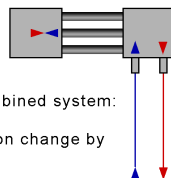
SP V 730 EC-EV-VD (DC)



SP V 730 EC-EV-VD (AC)



Optional: threaded ports (M8)



serial / parallel combined system:
automatic connection change by
an internal valve