



## SP 620 EC-TH / 670 EC-TH / 670 EC-DH



SP 620 EC-TH



SP 670 EC-TH



SP 670 EC-DH

### Product Features

- diaphragm double pump, dual head / twin head
- two heads = serial or parallel operation
- for gas and liquids / condensate
- applicable as vacuum pump or pressure pump
- electric motor driven
- available in 12 or 24 volt dc
- minimal current consumption
- oil free / maintenance free
- reduced vibrations
- low noise
- virtually leak tight
- fixation bracket available

### Applications

- Stationary gas analyzer / gas monitor
- Gas detector
- Exhaust gas analyzer (gas + condensate)
- Autosampler
- Pipetting Device
- Industrial pressure and vacuum applications
- Random access analyzer



Schwarzer  
Precision

Steeler Strasse 477 • 45276 Essen • Germany  
Phone: +49 201 31697-0 • Fax: +49 201 31697-29  
e-mail: info@schwarzer.com • <http://www.schwarzer.com>

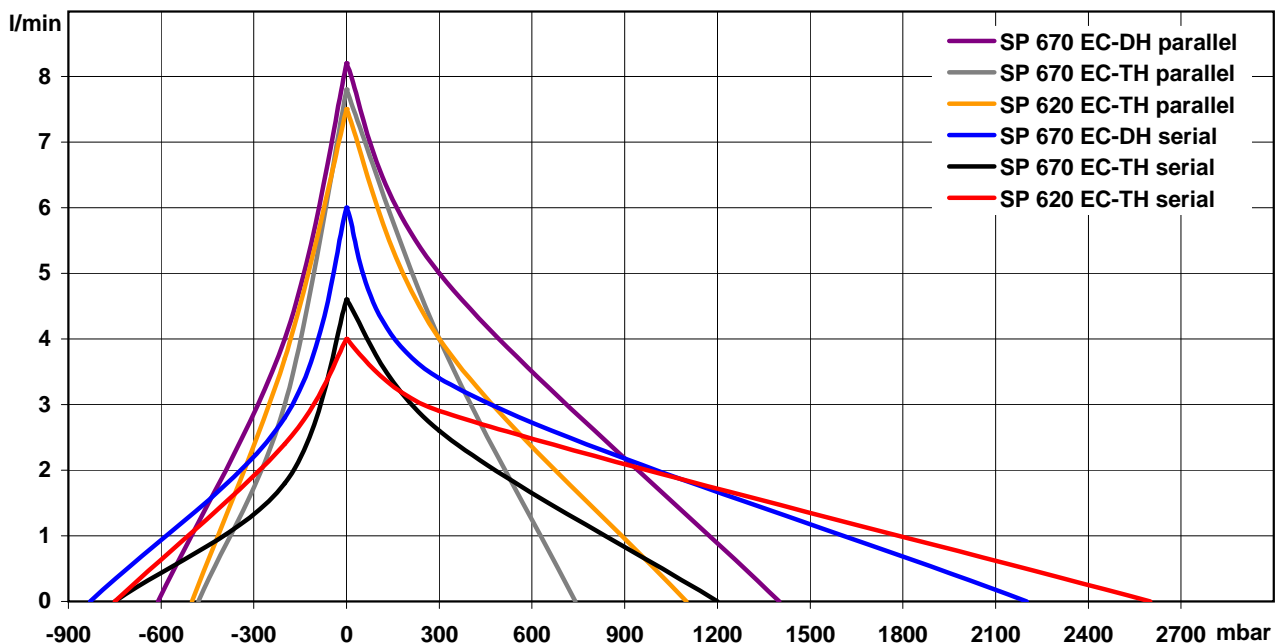


# SP 620 EC-TH / 670 EC-TH / 670 EC-DH

The pumps listed below represent a typical selection of our wide range of eccentric pumps and are intended for initial tests. Customised versions for your individual application would be made without extra costs - please contact us!

| Designation               | SP 620 EC-TH   |                 | SP 670 EC-DH                 |                   |                        |                 | SP 670 EC-TH           |                 |  |
|---------------------------|--|-----------------|------------------------------|-------------------|------------------------|-----------------|------------------------|-----------------|--|
| Operating Voltage         | 12 or 24 Vdc   |                 | 12 Vdc                       |                   |                        |                 | 12 or 24 Vdc           |                 |  |
| Art.No. 12 Vdc            | 7s57110  |                 | 7s57150                      |                   |                        |                 | 7s52090                |                 |  |
| Art.No. 24 Vdc            | 7s57111  |                 | -                            |                   |                        |                 | 7s52099                |                 |  |
| Pneumatic Performance     |  |                 |                              |                   |                        |                 |                        |                 |  |
|                           | <b>serial</b>  | <b>parallel</b> | <b>small head</b>            | <b>large head</b> | <b>serial</b>          | <b>parallel</b> | <b>serial</b>          | <b>parallel</b> |  |
| Free Flow [l/min]         | 4,0  | 7,5             | 4,5                          | 5,1               | 6,0                    | 8,2             | 4,6                    | 7,8             |  |
| flow at:                  | Pressure Side  |                 |                              |                   |                        |                 |                        |                 |  |
| 300 mbar [l/min]          | 2,9  | 4,0             | 3,0                          | 2,5               | 3,4                    | 5,0             | 2,6                    | 4,0             |  |
| max. Pressure [mbar]      | 2600   | 1100            | 1500                         | 840               | 2200                   | 1400            | 1200                   | 740             |  |
| flow at:                  | Vacuum Side  |                 |                              |                   |                        |                 |                        |                 |  |
| -200 mbar [l/min]         | 2,4  | 3,7             | 2,5                          | 2,5               | 2,8                    | 4,0             | 1,8                    | 3,0             |  |
| max. Vacuum [mbar]        | -750   | -500            | -640                         | -490              | -830                   | -610            | -750                   | -480            |  |
| Motor / Power Consumption |  |                 |                              |                   |                        |                 |                        |                 |  |
| Motor Type                | Iron Core DC Motor with Double Ball Bearings and Electromagnetic Suppression brushless |                 |                              |                   |                        |                 |                        |                 |  |
|                           | standard   | optional        |                              |                   |                        |                 |                        |                 |  |
| max. Current @12V [mA]    | 600  | 500             | 550                          | 600               | 1500                   | 1100            | 620                    | 600             |  |
| max. Current @24V [mA]    | 300  | 250             | -                            | -                 | -                      | -               | 310                    | 300             |  |
| Construction              |  |                 |                              |                   |                        |                 |                        |                 |  |
| Pump Head                 | PPS<br>customer specific - upon request  |                 |                              |                   |                        |                 |                        |                 |  |
|                           | standard   | optional        |                              |                   |                        |                 |                        |                 |  |
| Diaphragm, Valves         | EPDM   |                 | EPDM                         |                   |                        |                 | EPDM                   |                 |  |
|                           | standard   | optional        | FPM / Silicone / FFPM / PTFE |                   | FPM (Viton) / Silicone |                 | FPM (Viton) / Silicone |                 |  |
| Weight [g]                | 250  |                 | 265                          |                   |                        |                 | 280                    |                 |  |

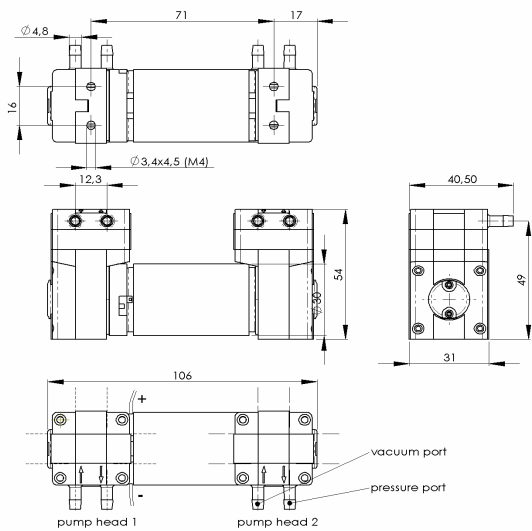
## Performance Curves



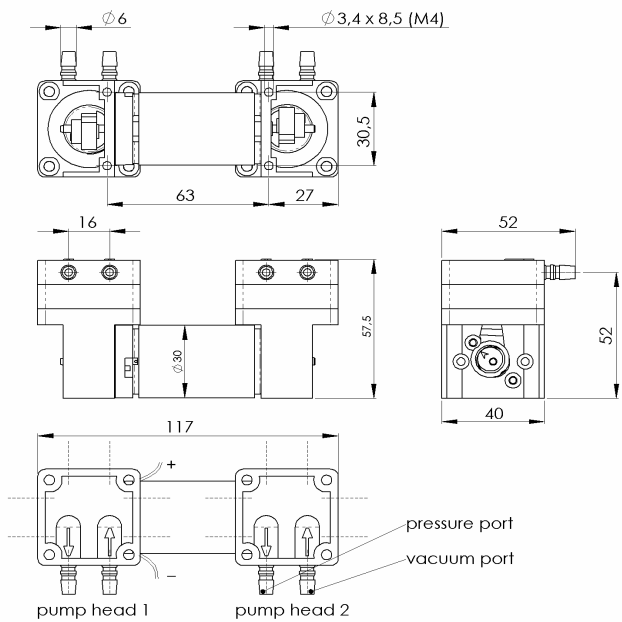


# SP 620 EC-TH / 670 EC-TH / 670 EC-DH

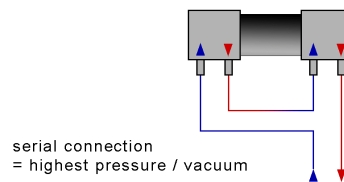
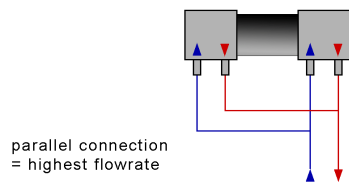
## SP 620 EC-TH



## SP 670 EC-TH

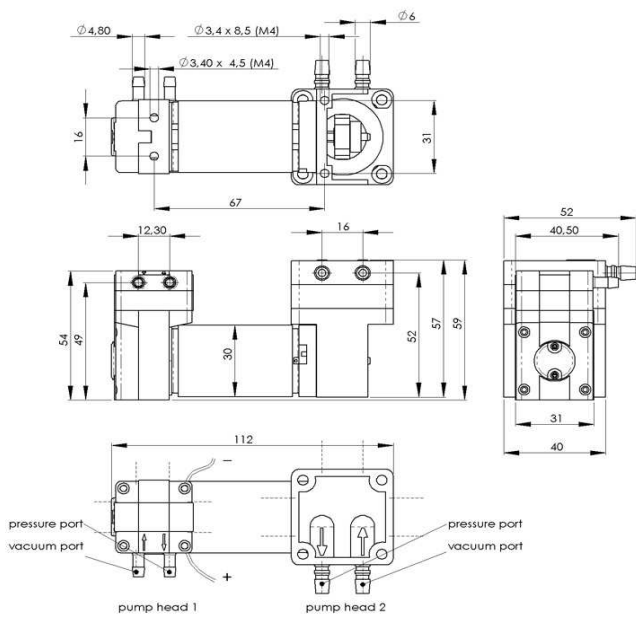


Standard: connection ports as shown. Optional: 3 other port positions possible (see dashed lines)

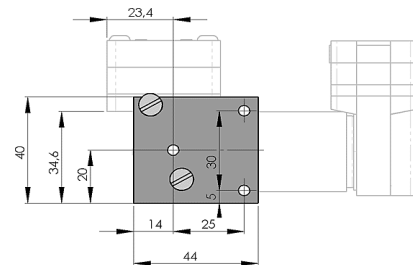




SP 670 EC-DH



Mounting Plate (alternative Fixation)



Art.No.: 5.33.19

Mounting Plate for:

- SP 670 EC-DH
- SP 670 EC-TH

Standard: connection ports as shown  
Optional: 3 other port positions possible (see dashed lines)

