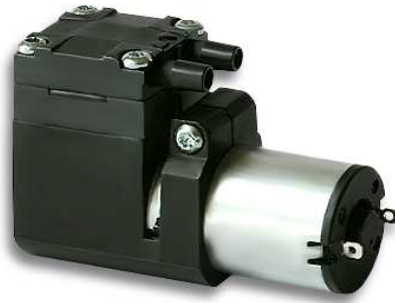




Smallest Eccenter Pump World Wide!



SP 100 EC-LC



SP 100 EC

Product Features

- diaphragm micro pump for air and gases
- applicable as vacuum pump or pressure pump
- motor driven
- available in 3 / 5 / 6 / 9 / 12 volt dc
- minimal current consumption
- oil free / maintenance free
- reduced vibrations
- low noise
- virtually leak tight
- lightweight
- extremely small size

Applications

- Air sampling
- Portable gas detector pump for safety devices
- Anaesthesia Equipment
- Personal gas detector / Gas monitor
- Exhaust gas analyser
- Pneumatics
- Pipetting device



Schwarzer
Precision

Steeler Strasse 477 • 45276 Essen • Germany
Phone: +49 201 31697-0 • Fax: +49 201 31697-29
e-mail: info@schwarzer.com • <http://www.schwarzer.com>

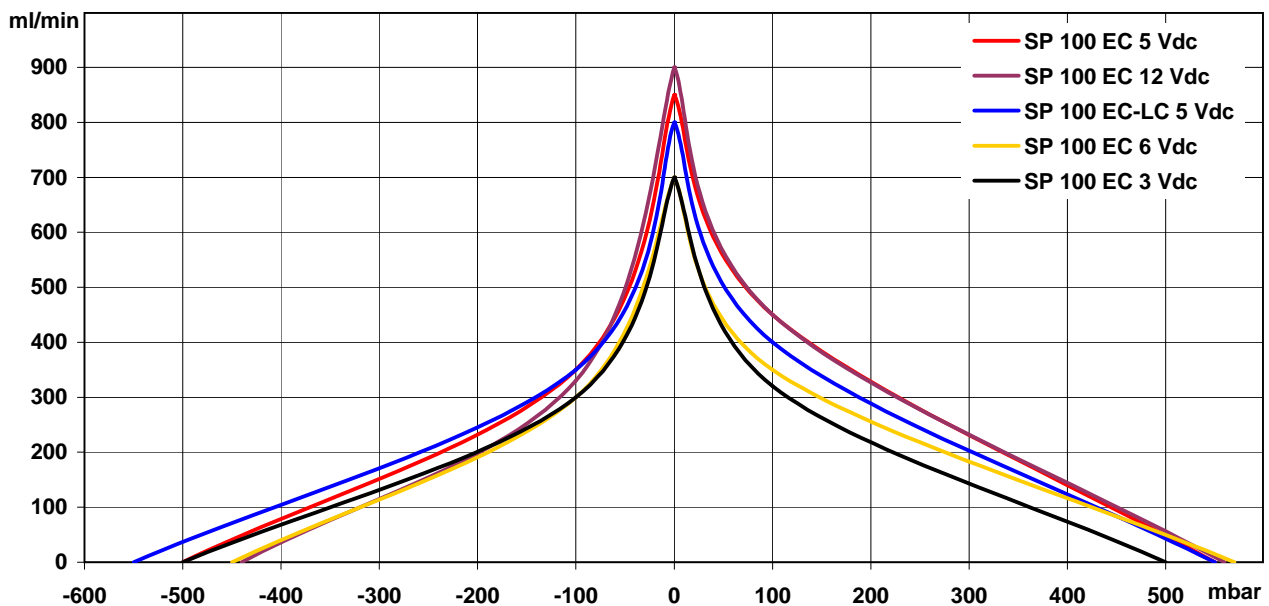


The pumps listed below represent a typical selection of our wide range of eccentric pumps and are intended for initial tests. Customised versions for your individual application would be made without extra costs - please contact us!

Designation	SP 100 EC						SP 100 EC-LC		
Operating Voltage* Art.No.	1,5 Vdc 7s50105	3 Vdc 7s50100	5 Vdc 7s50101	6 Vdc 7s50102	9 Vdc 7s50103	12 Vdc 7s50104	3 Vdc 7s50140	5 Vdc 7s50141	9 Vdc 7s50142
Pneumatic Performance									
Free Flow [ml/min]	500	700	850	700	800	900	800		
flow at: Pressure Side									
100 mbar [ml/min]	200	320	450	350	380	450	400		
max. Pressure [mbar]	450	500	550	570	570	560	550		
flow at: Vacuum Side									
-100 mbar [ml/min]	150	300	350	300	300	330	350		
max. Vacuum [mbar]	-350	-500	-500	-450	-440	-440	-550		
Motor / Power Consumption									
Motor Type	standard optional	-	dbb/brushl.	-	skew wound double ball bearings / brushless	-	iron core -		
max. Current [mA]	230	100	100	70	50	40	180	100	80
Construction									
Pump Head	standard optional	PPS customer specific - upon request							
Diaphragm, Valves	standard optional	EPDM FPM (Viton) / Silicone							
Weight [g]	15,5						12,3		

* other voltages on request

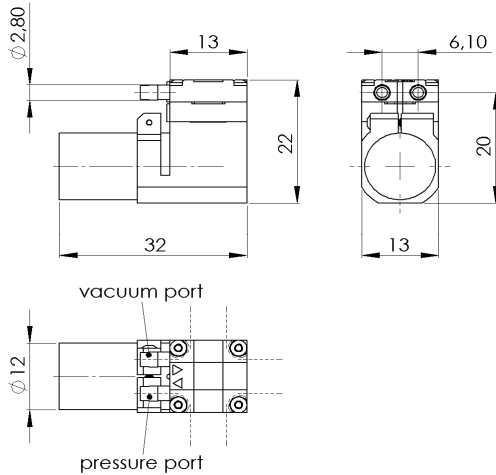
Performance Curves



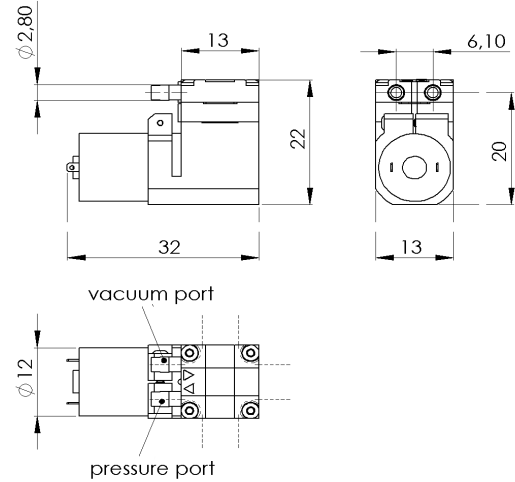
Steeler Strasse 477 • 45276 Essen • Germany
 Phone: +49 201 31697-0 • Fax: +49 201 31697-29
 e-mail: info@schwarzer.com • http://www.schwarzer.com



SP 100 EC



SP 100 EC-LC



Standard: connection ports as shown. Optional: 3 other port positions possible (see dashed lines)

Mounting clamp (plastic)



suitable for:

- SP 100 EC
- SP 100 EC-LC

Art.No.: 5.58.00

In order to reduce noise and vibration we recommend securing the pump in one of the following ways:

- with padded double sided adhesive tape
- with Velcro (hook and loop) tape for easy assembly and service
- Put the pump in a box lined with foam. Wires for the motor and tubing for the pump can go through a hole in the side of the box.